

TABLE OF CONTENTS - SHEET 1

SHEET #	DESCRIPTION	SHEET #	DESCRIPTION	SHEET #	DESCRIPTION
1	COVER SHEET	41	CD-602-4 INLETS, TYPE E, E1, E2, & ES	74	CD-609-13 BEAM GUIDE RAIL ATTACHMENTS
2	TABLE OF CONTENTS - SHEET 1	42	CD-602-5 INLETS, TYPE D1 & D2	75	CD-609-14 BEAM GUIDE RAIL ATTACHMENTS
3	TABLE OF CONTENTS - SHEET 2	42A	CD-602-5A REPLACE INLETS TYPE B OR D IN EXISTING CONCRETE BARRIER CURB	76	CD-609-15 BEAM GUIDE RAIL ATTACHMENTS
				76A	CD-609-15A BEAM GUIDE RAIL ATTACHMENTS
	ROADWAY CONSTRUCTION DETAILS	42B	CD-602-5B REPLACE INLETS TYPE B OR D IN NEW CONCRETE BARRIER CURB	76B	CD-609-15B BEAM GUIDE RAIL ATTACHMENTS
4	INDEX 1 FOR STANDARD ROADWAY CONSTRUCTION DETAILS			77	CD-609-16 BEAM GUIDE RAIL ATTACHMENTS
5	INDEX 2 FOR STANDARD ROADWAY CONSTRUCTION DETAILS	43	CD-602-6 EXTENSION FRAMES FOR EXISTING INLETS	77A	CD-609-16A BEAM GUIDE RAIL ATTACHMENTS
6	INDEX 3 FOR STANDARD ROADWAY CONSTRUCTION DETAILS	44	CD-602-7 EXTENSION RING FOR EXISTING MANHOLE	78	CD-609-17 BEAM GUIDE RAIL ATTACHMENTS
7	INDEX 4 FOR STANDARD ROADWAY CONSTRUCTION DETAILS	45	CD-602-8 MANHOLE	78A	CD-609-17A BEAM GUIDE RAIL ATTACHMENTS
8	CD-157-1 MONUMENT AND MONUMENT BOX	46	CD-602-9 PRECAST MANHOLE	78B	CD-609-17B BEAM GUIDE RAIL ATTACHMENTS
9	CD-158-1 SOIL EROSION AND SEDIMENT CONTROL MEASURES	47	CD-602-10 CONCRETE HEADWALL AND APRON	78C	CD-609-17C BEAM GUIDE RAIL ATTACHMENTS
10	CD-158-2 SOIL EROSION AND SEDIMENT CONTROL MEASURES	48	CD-602-11 CONCRETE CULVERT	78D	CD-609-17D BEAM GUIDE RAIL ATTACHMENTS
11	CD-158-3 SOIL EROSION AND SEDIMENT CONTROL MEASURES	49	CD-603-1 SLOPE, OUTFALL, AND CHANNEL PROTECTION	78E	CD-609-17E BEAM GUIDE RAIL ATTACHMENTS
12	CD-158-4 SOIL EROSION AND SEDIMENT CONTROL MEASURES	50	CD-605-1 CHAIN-LINK FENCE	79	CD-609-18 MODIFIED THRIE BEAM GUIDE RAIL
13	CD-159-1 TRAFFIC CONTROL DEVICES	51	CD-605-2 CHAIN-LINK FENCE	80	CD-609-19 MODIFIED THRIE BEAM GUIDE RAIL, DUAL FACED (NCHRP 350 TL-4)
14	CD-159-2 TRAFFIC CONTROL DEVICES	52	CD-606-1 CONCRETE SIDEWALK (PUBLIC SIDEWALK CURB RAMP)	80A	CD-609-20 THRIE BEAM GUIDE RAIL TRANSITIONS
15	CD-159-3 CONSTRUCTION BARRIER CURB (MASH TL-3)	53	CD-606-2 DETECTABLE WARNING SURFACE	81	CD-610-1 RAISED PAVEMENT MARKER (RPM), LOCATION
16	CD-159-4 CONSTRUCTION BARRIER CURB (ALTERNATE A) (MASH TL-3)	54	CD-606-3 CONCRETE SIDEWALK (PUBLIC SIDEWALK CURB RAMP TABLES)	82	CD-610-2 RAISED PAVEMENT MARKER (RPM), LOCATION
17	CD-159-5 CONSTRUCTION BARRIER CURB (ALTERNATE B) (MASH TL-3)	55	CD-606-4 CONCRETE SIDEWALK (PUBLIC SIDEWALK CURB RAMP TABLES)	83	CD-610-3 RAISED PAVEMENT MARKER (RPM), LOCATION
18	CD-159-6 CONSTRUCTION SIGNS	56	CD-606-5 CONCRETE AND HMA, DRIVEWAY AND SIDEWALK	84	CD-610-4 GROUND MOUNTED FLEXIBLE DELINEATORS
19	CD-159-7 CONSTRUCTION SIGNS	57	CD-606-6 CONCRETE AND HMA ISLAND	85	CD-610-5 RUMBLE STRIPS
20	CD-159-8 INTERSTATE CONSTRUCTION IDENTIFICATION SIGN	58	CD-607-1 CONCRETE AND GRANITE CURB	86	CD-610-6 CENTERLINE RUMBLE STRIP
21	CD-159-9 CONSTRUCTION IDENTIFICATION SIGNS	59	CD-607-2 CURB TRANSITIONS	87	CD-610-7 CENTERLINE RUMBLE STRIP
22	CD-159-10 TEMPORARY CRASH CUSHION, COMPRESSIVE BARRIER SUMMARY TABLE	60	CD-607-3 BARRIER CURB	87A	CD-610-8 TRAFFIC STRIPES AND MARKINGS
23	CD-202-1 SOIL REUSE	60A	CD-607-4 BARRIER CURB	87B	CD-610-9 TRAFFIC STRIPES AND MARKINGS
24	CD-203-1 I-9 SOIL AGGREGATE AND EMBANKMENT	60B	CD-607-5 BARRIER CURB	87C	CD-610-10 TRAFFIC STRIPES AND MARKINGS
25	CD-401-1 MILLING	60C	CD-607-6 BARRIER CURB	87D	CD-610-11 TRAFFIC STRIPES AND MARKINGS
26	CD-401-2 LONGITUDINAL JOINTS IN HMA	61	CD-608-1 NONVEGETATIVE SURFACE	87E	CD-610-12 TRAFFIC MARKING SYMBOLS
27	CD-405-1 CONCRETE PAVEMENT TRANSVERSE JOINTS	62	CD-609-1 BEAM GUIDE RAIL	87F	CD-610-13 TRAFFIC MARKING SYMBOLS
28	CD-405-2 CONCRETE PAVEMENT LONGITUDINAL JOINTS	63	CD-609-2 BEAM GUIDE RAIL, DUAL FACED (MASH TL-3)	87G	CD-610-14 TRAFFIC MARKING ROUTE SYMBOLS
29	CD-405-3 CONCRETE PAVEMENT JOINTS NON-SKEWED LOAD TRANSFER ASSEMBLIES	64	CD-609-3 RUB RAIL	88	CD-611-1 CRASH CUSHION COMPRESSIVE BARRIER SUMMARY TABLE
		65	CD-609-4 BEAM GUIDE RAIL ANCHORAGE (MASH TL-3)	89	CD-612-1 SIGNS
30	CD-451-1 SLAB STABILIZATION	66	CD-609-5 TANGENT GUIDE RAIL TERMINAL (MASH TL-3)	90	CD-612-2 SIGNS
31	CD-452-1 PARTIAL DEPTH CONCRETE PAVEMENT REPAIR	67	CD-609-6 CONTROLLED RELEASE TERMINAL	91	CD-612-3 SIGNS
32	CD-453-1 FULL DEPTH CONCRETE PAVEMENT REPAIR	68	CD-609-7 MEDIAN GUIDE RAIL TREATMENTS	92	CD-612-4 STEEL U-POST SIGN SUPPORTS
33	CD-453-2 FULL DEPTH CONCRETE PAVEMENT REPAIR	68A	CD-609-7A MEDIAN GUIDE RAIL TREATMENTS	92A	CD-612-4A STEEL SQUARE POST SIGN SUPPORTS
34	CD-454-1 RETROFIT DOWEL BARS	68B	CD-609-7B MEDIAN GUIDE RAIL TREATMENTS	93	CD-612-5 STEEL U-POST SIGN SUPPORTS
35	CD-601-1 UNDERDRAINS	69	CD-609-8 BEAM GUIDE RAIL TREATMENTS	94	CD-612-6 STEEL U-POST SIGN SUPPORTS
36	CD-601-2 PIPE END SECTIONS	69A	CD-609-8A BEAM GUIDE RAIL TREATMENTS (MASH TL-3)	95	CD-612-7 BREAKAWAY SIGN SUPPORTS FOR GROUND MOUNTED SIGNS
37	CD-601-3 CROSS DRAIN OR UTILITY TRENCH CONSTRUCTION	70	CD-609-9 BURIED GUIDE RAIL TERMINAL	96	CD-612-8 BREAKAWAY SIGN SUPPORTS FOR GROUND MOUNTED SIGNS
38	CD-602-1 INLET GENERAL DETAILS	71	CD-609-10 GRADING AND ROADSIDE RECOVERY AREA AT TANGENT GUIDE RAIL TERMINALS	97	CD-612-9 BREAKAWAY SIGN SUPPORTS FOR GROUND MOUNTED SIGNS
39	CD-602-2 INLETS, TYPE A, B, & C			98	CD-612-10 BREAKAWAY SIGN SUPPORTS FOR GROUND MOUNTED SIGNS
39A	CD-602-2A DRIVEWAY ACCESS PLATE FOR INLET TYPE B AND TYPE C CASTING	72	CD-609-11 BEAM GUIDE RAIL ATTACHMENTS		
40	CD-602-3 INLETS, TYPE B1, B2, & B, B1, & B2 MODIFIED	73	CD-609-12 BEAM GUIDE RAIL ATTACHMENTS		

ABBREVIATIONS

CD = ROADWAY
TCD = TRAFFIC CONTROL DETAILS
BCD = BRIDGE CONSTRUCTION DETAILS

BDC22D-02 - NEW SHEET CD-612-4A
BDC22D-01 - NEW SHEETS CD-602-5A THRU 5B
BDC22D-07-NEW SHEETS CD-610-8 THRU 14
BDC22D-06-REVISED CD-609-3, CD-609-4, CD-609-5
BDC22D-07-REVISED SHEET CD-602-2A
BDC22D-06-REVISED SHEET CD-602-2A
BDC22D-01-REVISED SHEET CD-602-2A
BDC22D-01-ORIGINAL SHEET

TABLE OF CONTENTS – SHEET 2

SHEET #	DESCRIPTION	SHEET #	DESCRIPTION	SHEET #	DESCRIPTION
	ROADWAY CONSTRUCTION DETAILS (CONTINUATION)		TRAFFIC CONTROL DETAILS		BRIDGE CONSTRUCTION DETAILS
99	CD-807-1 TOPSOIL STABILIZATION	102	INDEX FOR STANDARD TRAFFIC CONTROL DETAILS	125	INDEX FOR STANDARD BRIDGE CONSTRUCTION DETAILS
100	CD-811-1 PLANTING	103	TCD-1 LEGEND AND GENERAL NOTES	126	BCD-504-1 CONCRETE CLASSES
101	CD-811-2 PLANTING	104	TCD-2 SIGHT DISTANCE, TAPER LENGTH, ESCAPE RAMP, CONSTRUCTION BARRIER DETAIL	127	BCD-504-2 TYPICAL DETAILS
		105	TCD-3 2 LANES, UNDIVIDED, LANE AND SHOULDER CLOSING 2 LANES, UNDIVIDED, SHOULDER CLOSING	128	BCD-505-1 MISCELLANEOUS BRIDGE ITEMS
		106	TCD-4 2 LANES, UNDIVIDED, LANE AND SHOULDER CLOSING WITH FLAGGING	129	BCD-507-1 DATE AND NUMERAL PANEL
		107	TCD-5 2 LANES, UNDIVIDED, INTERSECTION	130	BCD-507-2 STRIP SEAL DECK JOINTS
		108	TCD-6 2 LANES, UNDIVIDED, INTERSECTION	131	BCD-507-3 2'-0" PARAPET, PEDESTRIAN AND TRAFFIC RAILING, AND 2'-10" PARAPET
		109	TCD-7 2 LANES, UNDIVIDED, INTERSECTION	132	BCD-507-4 6'-6" AND 2'-8" PARAPET
		110	TCD-8 4 LANES, UNDIVIDED, RIGHT LANE AND SHOULDER CLOSING 4 LANES, UNDIVIDED, SHOULDER CLOSING	133	BCD-507-5 CONCRETE BRIDGE DECKS
		111	TCD-9 4 LANES, UNDIVIDED, LEFT LANE CLOSING	134	BCD-507-6 STAY-IN-PLACE FORMS
		112	TCD-10 4 LANES, UNDIVIDED, 2 LANES AND SHOULDER ONE DIRECTION CLOSING	135	BCD-507-7 CONCRETE BRIDGE APPROACH
		113	TCD-11 4 LANES, UNDIVIDED, INTERSECTION	136	BCD-507-8 4'-2" HIGH HEAVY TRUCK PARAPET
		114	TCD-12 4 LANES, UNDIVIDED, INTERSECTION	137	BCD-507-9 3'-6" HIGH F-SHAPE PARAPET DETAILS
		115	TCD-13 4 LANES, UNDIVIDED, INTERSECTION	138	BCD-507-10 BRIDGE MEDIAN BARRIER
		116	TCD-14 4 & 6 LANES, DIVIDED, RIGHT LANE AND SHOULDER CLOSING 4 & 6 LANES, DIVIDED, SHOULDER CLOSING	139	BCD-507-11 STEEL 4-BAR BRIDGE RAILING, TYP. SECTIONS AND ELEVATIONS
		117	TCD-15 4 & 6 LANES, DIVIDED, LEFT LANE CLOSING	140	BCD-507-12 STEEL 4-BAR BRIDGE RAILING, MISCELLANEOUS DETAILS
		118	TCD-16 6 LANES, DIVIDED, (LEFT & RIGHT) TWO LANES CLOSING	141	BCD-509-1 CHAIN-LINK FENCE, BRIDGE 6'-3" HIGH, CURVED TOP
		119	TCD-17 6 LANES, DIVIDED, CENTER LANE CLOSURE INITIATED BY LEFT & RIGHT LANE CLOSURE, MAINTAIN 2 THROUGH LANES	142	BCD-509-2 CHAIN-LINK FENCE, BRIDGE 6'-3" HIGH
		120	TCD-18 DIVIDED, EXIT RAMP CONSTRUCTION, (LEFT & RIGHT)	143	BCD-509-3 WING FOR CHAIN-LINK FENCE, STRAIGHT AND CURVED TOP
		121	TCD-19 DIVIDED, EXIT RAMP CONSTRUCTION, (LEFT & RIGHT) WITH DECELERATION LANE	144	BCD-509-4 1-RAIL ALUMINUM RAILING (FOR USE IN NON-NHS BRIDGE ONLY)
		122	TCD-20 DIVIDED, ENTRANCE RAMP CONSTRUCTION, (LEFT & RIGHT)	145	BCD-509-5 2-RAIL ALUMINUM RAILING (FOR USE IN NON-NHS BRIDGE ONLY)
		123	TCD-21 DIVIDED, ENTRANCE RAMP CONSTRUCTION, (LEFT & RIGHT) WITH ACCELERATION LANE	146	BCD-509-6 1-RAIL STEEL RAILING
		124	TCD-22 MULTI-LANE ROAD MOVING OPERATION	147	BCD-551-1 BRIDGE DECK REHABILITATION WITH CONCRETE OVERLAY
				148	BCD-551-2 BRIDGE DECK REHABILITATION WITHOUT CONCRETE OVERLAY
				149	BCD-551-3 BRIDGE DECK REHABILITATION DECK JOINT REPAIR (SHEET 1 OF 2)
				150	BCD-551-4 BRIDGE DECK REHABILITATION DECK JOINT REPAIR (SHEET 2 OF 2)
				151	BCD-602-1 DRAINAGE BACK OF WALL
				152	BCD-603-1 CONCRETE SLOPE PROTECTION
				153	BCD-609-1 BARRIER PARAPET MODIFICATION FOR GUIDE RAIL
				154	BCD-609-2 BARRIER PARAPET MODIFICATION FOR GUIDE RAIL
				155	BCD-609-3 BARRIER PARAPET MODIFICATION FOR GUIDE RAIL
				156	BCD-609-4 BARRIER PARAPET MODIFICATION FOR GUIDE RAIL
				157	BCD-609-5 PARAPET AND SIDEWALK WITH ONE OR TWO RAIL RAILING
				158	BCD-609-6 PARAPET AND SIDEWALK WITH CHAIN-LINK FENCE
				159	BCD-609-7 3-RAIL RAILING WITH PYLON
				160	BCD-609-8 GUIDE RAIL ACROSS BARRIER PARAPET
				161	BCD-609-9 TRANSITION MEDIAN BARRIER
				162	BCD-653-1 STEEL GAS MAIN
				163	BCD-701-1 R.M.C AND JUNCTION BOX DETAILS
				164	BCD-703-1 HIGHWAY LIGHTING

ABBREVIATIONS

CD = ROADWAY
TCD = TRAFFIC CONTROL DETAILS
BCD = BRIDGE CONSTRUCTION DETAILS

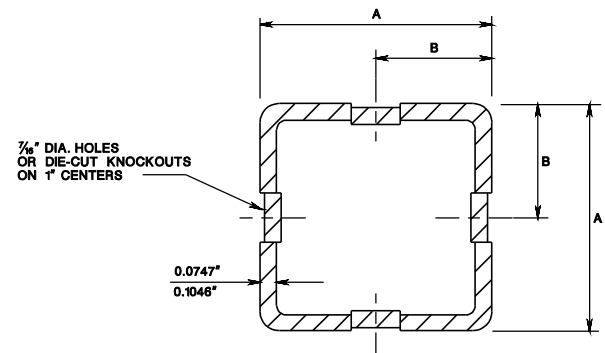
BCD-509-06 REVISED
BCD-509-07 REVISED
BCD-509-08 ORIGINAL SHEET

INDEX FOR STANDARD ROADWAY CONSTRUCTION DETAILS

INDEX SHEET 4

DESCRIPTION	CD	DESCRIPTION	CD	DESCRIPTION	CD
RUMBLE STRIPS		BREAKAWAY SIGN SUPPORTS FOR GROUND MOUNTED SIGNS	CD-612-9.1	TRAFFIC CONTROL	
RUMBLE STRIPS	CD-610-5.1	BREAKAWAY SIGN SUPPORTS FOR GROUND MOUNTED SIGNS	CD-612-10.1	TRAFFIC CONTROL DEVICES	CD-159-1
REMOVAL OF RUMBLE STRIP	CD-610-5.2			DRUMS	CD-159-1.1
CENTERLINE RUMBLE STRIP	CD-610-6			TRAFFIC CONES	CD-159-1.2
CONCRETE BRIDGE APPROACH WITH HMA OVERLAY	CD-610-6.1			BREAKAWAY BARRICADES	CD-159-1.3
CONCRETE BRIDGE APPROACH WITHOUT HMA OVERLAY	CD-610-6.2	SLOPE, OUTFALL, AND CHANNEL PROTECTION		TRAFFIC CONTROL DEVICES	CD-159-2
STAGGERED CONCRETE BRIDGE APPROACH	CD-610-6.3	SLOPE, OUTFALL, AND CHANNEL PROTECTION	CD-603-1	ILLUMINATED FLASHING ARROWS, ___' x ___'	CD-159-2.1
MIDBLOCK CROSSWALK	CD-610-6.4	RIPRAP STONE PROTECTION (CHANNEL/SLOPE/OUTFALL)	CD-603-1.1	CHANNELIZING GUIDE POSTS	CD-159-2.2
APPROACH TO MEDIAN OR DIVIDED HIGHWAY WITH A PHYSICAL ISLAND	CD-610-6.5	SLOPE PROTECTION AT LOW POINTS OF UMBRELLA SECTIONS	CD-603-1.2	STOP / SLOW PADDLE	CD-159-2.3
CENTERLINE RUMBLE STRIP	CD-610-7	CONCRETE SLOPE GUTTER, 6" THICK	CD-603-1.3	TEMPORARY SIDEWALK	CD-159-2.4
APPROACH TO RAILROAD CROSSING	CD-610-7.1			TEMPORARY PAVEMENT MARKERS	CD-159-2.5
APPROACH TO LEFT TURN SLOT	CD-610-7.2			TEMPORARY TRAFFIC STRIPES AND MARKINGS	CD-159-2.6
		SOIL EROSION AND SEDIMENT CONTROL		CONSTRUCTION BARRIER CURB (MASH TL-3)	CD-159-3.1
		SOIL EROSION AND SEDIMENT CONTROL MEASURES	CD-158-1	ANCHORAGE FOR CONSTRUCTION BARRIER CURB WITH ATTACHMENT TYPE D	CD-159-3.2
SIDEWALK		SILT FENCE	CD-158-1.1	GENERAL NOTES	CD-159-3.3
CONCRETE SIDEWALK (PUBLIC SIDEWALK CURB RAMP)	CD-606-1	ATTACHING TWO SILT FENCES	CD-158-1.2	CONSTRUCTION BARRIER CURB (ALTERNATE A) (MASH TL-3)	CD-159-4.1
CURB RAMPS	CD-606-1.1	HEAVY DUTY SILT FENCE	CD-158-1.3	CONSTRUCTION BARRIER CURB (ALTERNATE B) (MASH TL-3)	CD-159-5.1
DETECTABLE WARNING SURFACE	CD-606-2.1	SILT FENCE FASTENER REQUIREMENTS	CD-158-1.4	TEMPORARY CRASH CUSHION, COMPRESSIVE BARRIER SUMMARY TABLE	CD-159-10.1
CONCRETE SIDEWALK (PUBLIC SIDEWALK CURB RAMP TABLES)	CD-606-3.1	SILT FENCE ON A STEEP OR LONG GRADE	CD-158-1.5		
CONCRETE SIDEWALK (PUBLIC SIDEWALK CURB RAMP TABLES)	CD-606-4.1	HAYBALES	CD-158-1.6		
CONCRETE AND HMA, DRIVEWAY AND SIDEWALK	CD-606-5	EMBEDDING DETAIL	CD-158-1.7		
CONCRETE SIDEWALK, 4" THICK	CD-606-5.9	STABILIZED CONSTRUCTION DRIVEWAY	CD-158-1.8	TRAFFIC SYMBOLS	
HMA SIDEWALK, 5½" THICK	CD-606-5.10	SOIL EROSION AND SEDIMENT CONTROL MEASURES	CD-158-2	TRAFFIC STRIPES AND MARKINGS	CD-610-8
		HAYBALE CHECK DAM WITH TEMPORARY STONE OUTLET	CD-158-2.1	TRAFFIC STRIPES AND MARKINGS	CD-610-9
		STONE CHECK DAM	CD-158-2.2	TRAFFIC STRIPES AND MARKINGS	CD-610-10
SIGNS		SLOPE DRAIN	CD-158-2.3	TRAFFIC STRIPES AND MARKINGS	CD-610-11
SIGNS	CD-612-1.1	INLET FILTERS, TYPE 1	CD-158-2.4	TRAFFIC MARKING SYMBOLS	CD-610-12
SIGNS	CD-612-2.1	INLET FILTERS, TYPE 2	CD-158-2.5	TRAFFIC MARKING SYMBOLS	CD-610-13
SIGNS	CD-612-3.1	SOIL EROSION AND SEDIMENT CONTROL MEASURES	CD-158-3	TRAFFIC MARKING ROUTE SYMBOLS	CD-610-14
		INLET SEDIMENT TRAP	CD-158-3.1		
		FLOATING TURBIDITY BARRIER	CD-158-3.2		
SIGN SUPPORTS		STONE OUTLET SEDIMENT TRAPS, __'X__'	CD-158-3.3		
STEEL U-POST SIGN SUPPORTS	CD-612-4.1	SEDIMENT CONTROL TANK OR BAG	CD-158-3.4	UNDERDRAINS	
STEEL SQUARE POST SIGN SUPPORTS	CD-612-4A.1	SOIL EROSION AND SEDIMENT CONTROL MEASURES	CD-158-4	UNDERDRAIN TYPE F	CD-601-1.1
STEEL SQUARE POST SIGN SUPPORTS - SPLICE DETAIL	CD-612-4A.2	USE OF AN OIL / WATER SEPARATOR DURING DEWATERING	CD-158-4.1	UNDERDRAIN TYPE X	CD-601-1.2
STEEL U-POST SIGN SUPPORTS	CD-612-5	ROADWAY GRADING	CD-158-4.2	SUBBASE OUTLET DRAIN	CD-601-1.3
SPACER BAR, ANCHOR POST ASSEMBLY SIGN SUPPORTS	CD-612-5.1	TEMPORARY RUNOFF DIVERSION	CD-158-4.3	COMBINED STORM DRAIN AND OUTLET TRENCH IN ROCK AREAS	CD-601-1.4
TYPE 1 ANCHOR POST ASSEMBLY	CD-612-5.2	STREAM DIVERSION	CD-158-4.4		
STEEL U-POST SIGN SUPPORTS	CD-612-6.1				
BREAKAWAY SIGN SUPPORTS FOR GROUND MOUNTED SIGNS	CD-612-7.1				
BREAKAWAY SIGN SUPPORTS FOR GROUND MOUNTED SIGNS	CD-612-8.1				

BDC22D-02 - NEW SHEET CD-612-4A
 BDC22D-01 - REVISED
 BDC21D-07 - NEW SHEETS CD-610-8 THRU 14
 BDC21D-06-REVISED CD-609-3, CD-609-4, CD-609-5
 BDC16D-01-ORIGINAL SHEET

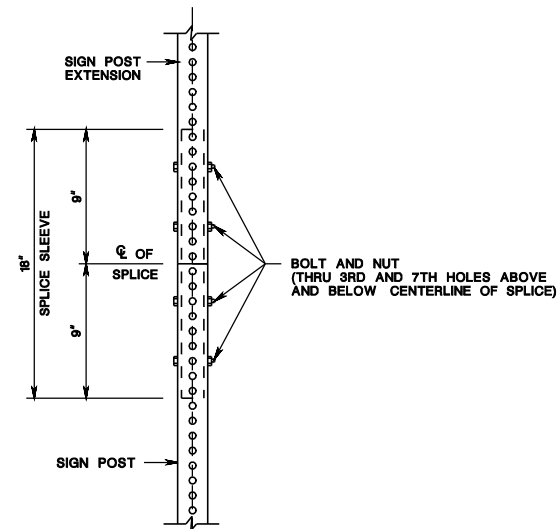
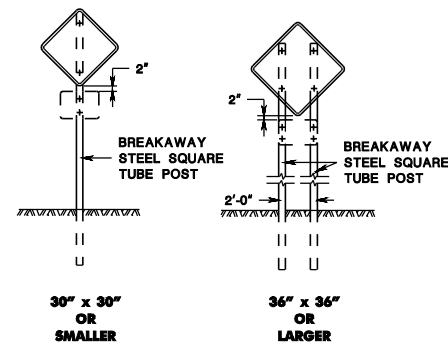
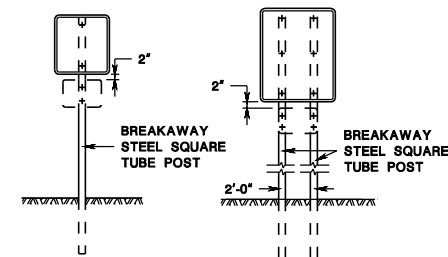
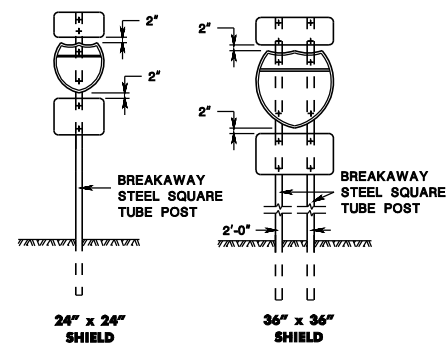


SIGN POST				ANCHOR POST				ANCHOR SLEEVE *				SPLICE SLEEVE			
SIZE	DIMENSION		THICK.	SIZE	DIMENSION		THICK.	SIZE	DIMENSION		THICK.	SIZE	DIMENSION		THICK.
	A	B		A	B			A	B			A	B		
2.00"	2.00"	1.000"	0.0747"	2.25"	2.25"	1.125"	0.1046"	2.50"	2.50"	1.250"	0.1046"	1.75"	1.75"	0.875"	0.0747"
2.25"	2.25"	1.125"	0.0747"	2.50"	2.50"	1.250"	0.1046"	3.00"	3.00"	1.500"	0.1875"	2.00"	2.00"	1.000"	0.0747"

* ONLY REQUIRED FOR INSTALLATIONS IN CONCRETE.

SQUARE STEEL POSTS

0.1046" AND 0.0747" - 60 KSI



SPLICE DETAIL

NOTES:

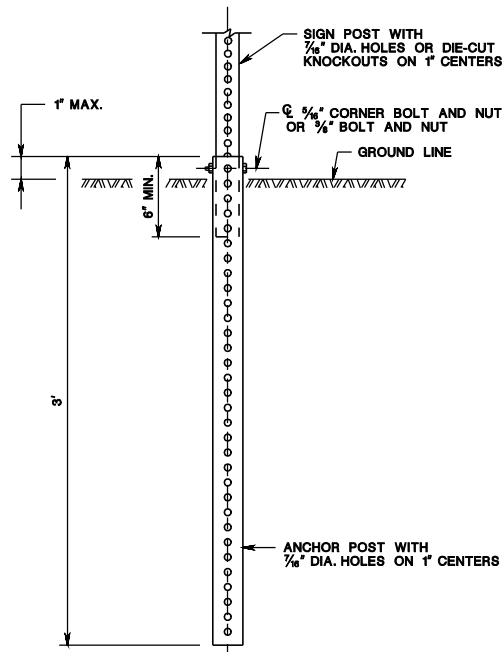
1. TO EXTEND THE HEIGHT OF A SIGN POST, A MAXIMUM OF ONE SPLICE MAY BE MADE.
2. SIGN POST SPLICES MUST BE A MINIMUM OF 9 FT. ABOVE GROUND.
3. SELECT THE PROPER SIZE SPLICE SLEEVE FROM THE SQUARE STEEL POSTS TABLE ON THIS SHEET.

CD-612-4A.2

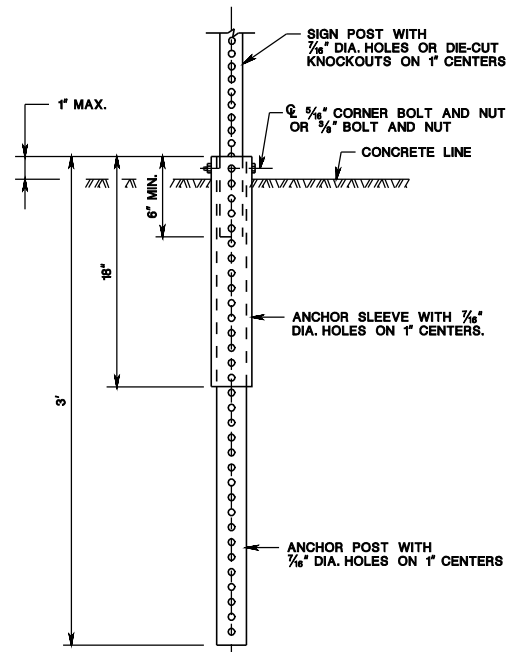
GENERAL NOTES:

1. DETERMINE THE PROPER SIZE AND NUMBER OF SIGN POSTS FROM THE APPROPRIATE GRAPH.
2. PUNCH OUT APPROPRIATE KNOCKOUTS AND ATTACH THE SIGN.
3. DETERMINE THE PROPER SIZE ANCHOR POST FROM THE SQUARE STEEL POSTS TABLE ON THIS SHEET.
4. DRIVE THE ANCHOR POST INTO THE GROUND, USING THE APPROPRIATE SIZE DRIVE CAP, UNTIL ONLY ONE HOLE REMAINS ABOVE THE GROUND OR FINISHED ELEVATION OF THE CONCRETE.
5. PUNCH OUT THE SIXTH KNOCKOUTS FROM THE BOTTOM OF THE SIGN POST.
6. SLIDE A MINIMUM OF 6" OF THE SIGN POST INTO THE ANCHOR POST.
7. ATTACH THE SIGN POST TO THE ANCHOR POST WITH ONE 5/8" CORNER BOLT AND NUT (OR ALTERNATELY ONE 1/2" BOLT AND NUT) THROUGH THE TOP HOLE OF THE ANCHOR POST.
8. TIGHTEN THE BOLT AND NUT BY THE TURN-OF-THE-NUT METHOD. BRING NUT TO A SNUG CONDITION TO ENSURE THAT ALL PARTS ARE BROUGHT TOGETHER INTO FULL CONTACT WITH EACH OTHER, THEN TIGHTEN AN ADDITIONAL 1/2 TURN.
9. FOR INSTALLATIONS IN CONCRETE, PLACE A 18" LONG ANCHOR SLEEVE OUTSIDE THE ANCHOR POST SO THAT THE TOPS OF THE ANCHOR POST AND ANCHOR SLEEVE ARE EVEN. SELECT THE PROPER SIZE ANCHOR SLEEVE FROM THE SQUARE STEEL POSTS TABLE ON THIS SHEET.
10. SIGN POSTS AND SPLICE SLEEVES SHALL HAVE 7/16" DIAMETER HOLES OR DIE-CUT KNOCKOUTS ON 1" CENTERS ON ALL FOUR SIDES. ANCHOR POSTS AND ANCHOR SLEEVES SHALL HAVE 1/4" DIAMETER HOLES ON 1" CENTERS ON ALL FOUR SIDES.

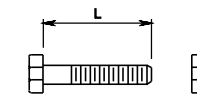
CD-612-4A.3



INSTALLATION DETAIL



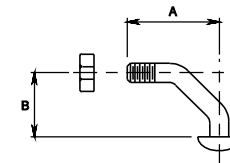
INSTALLATION DETAIL IN CONCRETE



SIGN POST SIZE (INCHES)	DIMENSION L (INCHES)
2.00	3.0
2.25	3.5

1/2" - 16 UNC ANCHOR BOLTS & NUTS

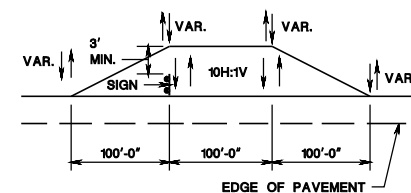
CADMIUM PLATED STEEL, ZINC PLATED STEEL OR ALUMINUM



SIGN POST SIZE (INCHES)	DIMENSION (INCHES)	
	A	B
2.00	1.562	1.188
2.25	1.562	1.188

1/2" - 18 UNC CORNER BOLTS & NUTS

CADMIUM PLATED STEEL, ZINC PLATED STEEL OR ALUMINUM



STEEL SQUARE TUBE POST GRADING DETAIL

STEEL SQUARE POST SIGN SUPPORTS

N.T.S.

CD-612-4A

NEW JERSEY DEPARTMENT OF TRANSPORTATION

CONSTRUCTION DETAILS

CD-612-4A.1